



# INSTRUCTION BULLETIN

No. 9021976  
Machine: See Below  
Published: 02-2023  
Rev. 00

**NOTE: DO NOT DISCARD the Parts List from the Instruction Bulletin. Place the Parts List in the appropriate place in the machine manual for future reference. Retaining the Parts List will make it easier to reorder individual parts and will save the cost of ordering an entire kit.**

*NOTE: Numbers in parenthesis ( ) are reference numbers for parts listed in Bill of Materials.*

Installation instructions for **kit numbers 9021969, 9021970, 9021971, 9021972, 9021973, 9021974, 9021975**

Kit installation must be performed by TennantTrue<sup>®</sup> service or an authorized service provider.

## SYNOPSIS:

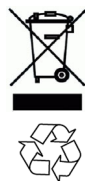
This kit contains the parts needed to upgrade a 3G telemetry module to a 4G telemetry module on B5, SpeedGleam 5, B7, SpeedGleam 7, T7, Speed Scrub Rider, T500e/SpeedScrub 500, T12, T16, T17, M17, M20, T20, M30, S20E, S20, and S30.

Please follow step-by-step instructions.

## SPECIAL TOOLS / CONSIDERATIONS: NONE

(Estimated time to complete: 60 minutes)

**The IRIS (telemetry module) must be activated to complete this installation. The module will not function until it is activated. Call for assistance (North America - Technical Support / Australia - CCC) activating the module after all telemetry components have been installed. Have machine serial number and IRIS module SIM number (located on back of IRIS control box assembly) ready when calling for activation.**



## PROTECT THE ENVIRONMENT

Please dispose of packaging materials, used machine components such as batteries and fluids in an environmentally safe way according to local waste disposal regulations.

Always remember to recycle.

## PREPARATION:

**FOR SAFETY: Before leaving or servicing machine, stop on level surface, turn off machine, set parking brake (if equipped), and remove key.**

1. **Gas/LP/Diesel Machines:** Disconnect the battery cables from the battery.

**Battery Machines:** Disconnect the battery cable from the machine.

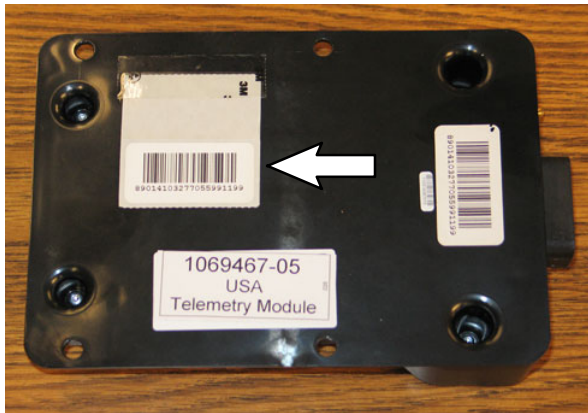


**WARNING: Always disconnect battery cables from machine before working on electrical components.**

## INSTALLATION:

1. Open covers/shrouds and remove components as necessary to access the existing 3G telemetry modules and antennas.
2. Disconnect the telemetry harness and antenna cable from the existing telemetry module.
3. Remove the 3G telemetry module and antenna from the machine. Discard the removed 3G telemetry module and antenna. Set all mounting hardware aside.

- Remove the additional SIM label from the back of the control box (1) and set label aside in a safe place. The number on the SIM label will be needed for activating the machine. (Fig. 2)



**FIG. 1**

- Use saved hardware to install the new 4G telemetry module (1) onto the machine.
- Install both 4G telemetry antennas (2) onto the machine. Refer to following figures for both 4G antenna locations on the various machines.
  - Fig. 2 - B5 Burnisher/SpeedGleam 5 Burnisher
  - Fig. 3 - B7 Burnisher/SpeedGleam 7 Burnisher
  - Fig. 4 - T7 Scrubber/Speed Scrub Rider Scrubber
  - Fig. 5 - T500e Scrubber/SpeedScrub 500 Scrubber
  - Fig. 6 - T12 Scrubber
  - Fig. 7 - T16 Scrubber
  - Fig. 8 - T20 Scrubber/M20 Sweeper Scrubber/M30 Sweeper Scrubber
  - Fig. 9 - T17 Scrubber/M17 Sweeper Scrubber
  - Fig. 10 - S20 Sweeper
  - Fig. 11 - S30 Sweeper

- Connect the telemetry harness to the 4G telemetry module (1).
- Route both 4G antenna (2) cables (along same path as the removed 3G antenna cable had previously been routed) to the 4G telemetry module (1) and connect cables to the 4G telemetry module.

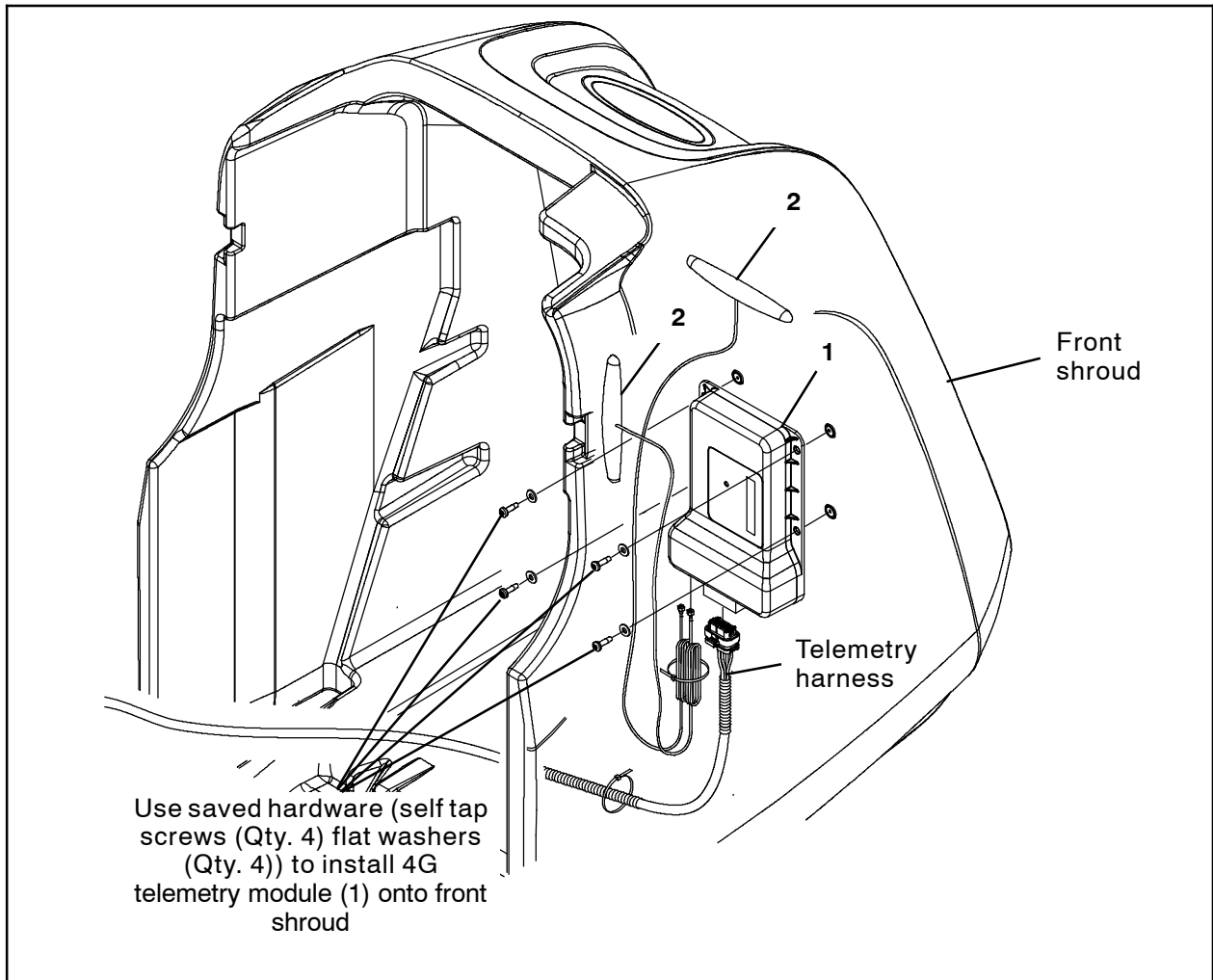
*NOTE: The IRIS (telemetry module) must be activated to complete this installation. The module will not function until it is activated. Call for assistance activating the module after all telemetry components have been installed.*

- Reconnect the battery cables to the battery/ reconnect the battery cable to the machine.
- Gas/LP/Diesel Machines:** Turn the key to the ON position, but do not start the machine.

**Battery Machines:** Turn the key to the ON position.

- North America Customer Locations:** Activate the IRIS (telemetry module): Call Technical Support (between hours of 7:00 am and 5:00 pm CST) for assistance to activate the module. The IRIS telemetry system must be activated to complete this install. Have the machine serial number and IRIS module SIM number ready when calling for activation.
- Australia Customer Locations:** Activate the IRIS (telemetry module): Call CCC (between hours of 8:00 am and 5:00 pm AEST) and ask to be routed to the IRIS expert for assistance to activate the module. The IRIS telemetry system must be activated to complete this install. Have the machine serial number and IRIS module SIM number ready when calling for activation.

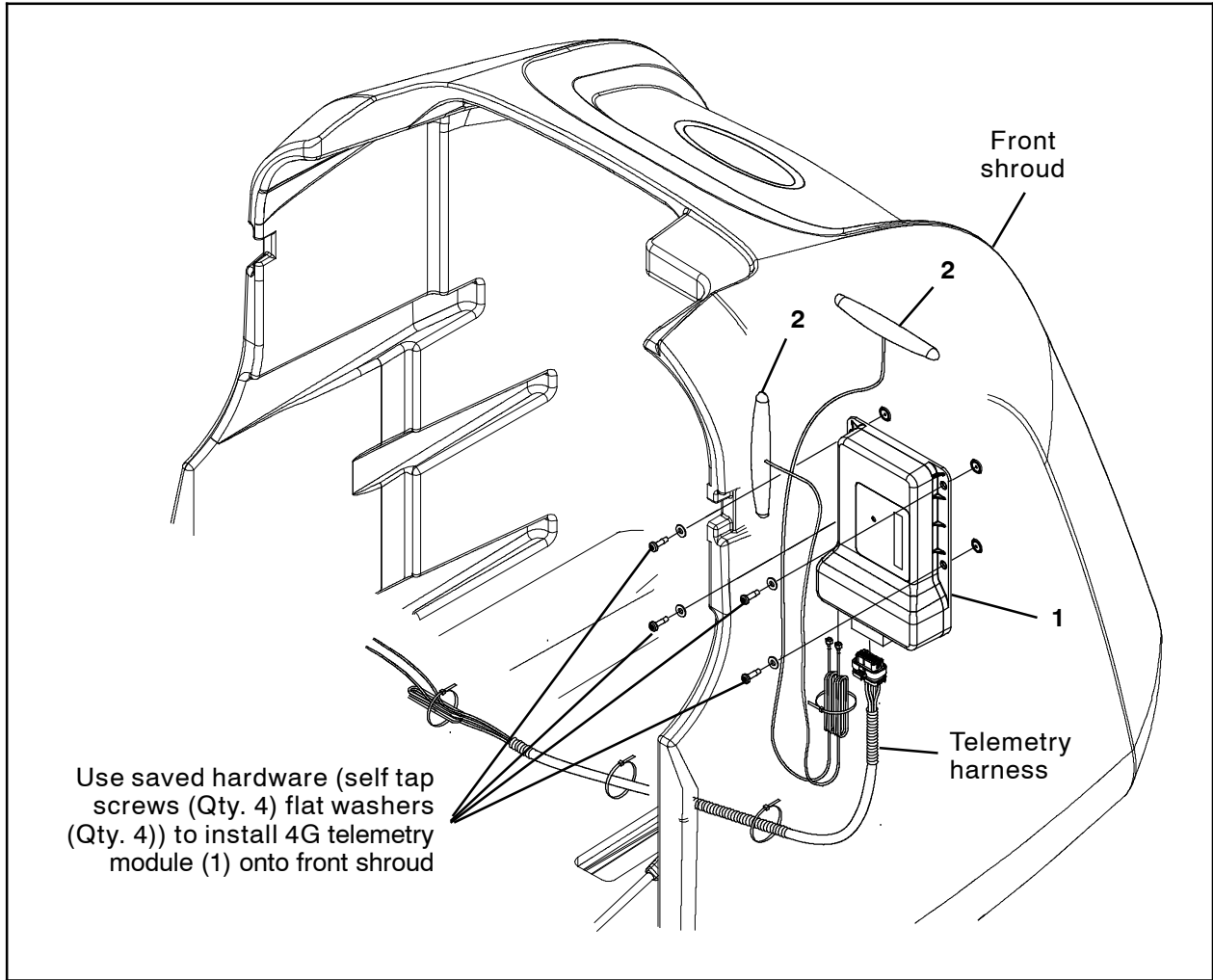
*NOTE: The IRIS (telemetry module) must be activated to complete this installation. The module will not function until it is activated. Call for assistance activating the module after all telemetry components have been installed.*



**FIG. 2 - B5 Burnisher/SpeedGleam 5 Burnisher**

**Bill of Materials for Telemetry Kit, 3G-4G, NA [B5, B7, T7] - 9021969**

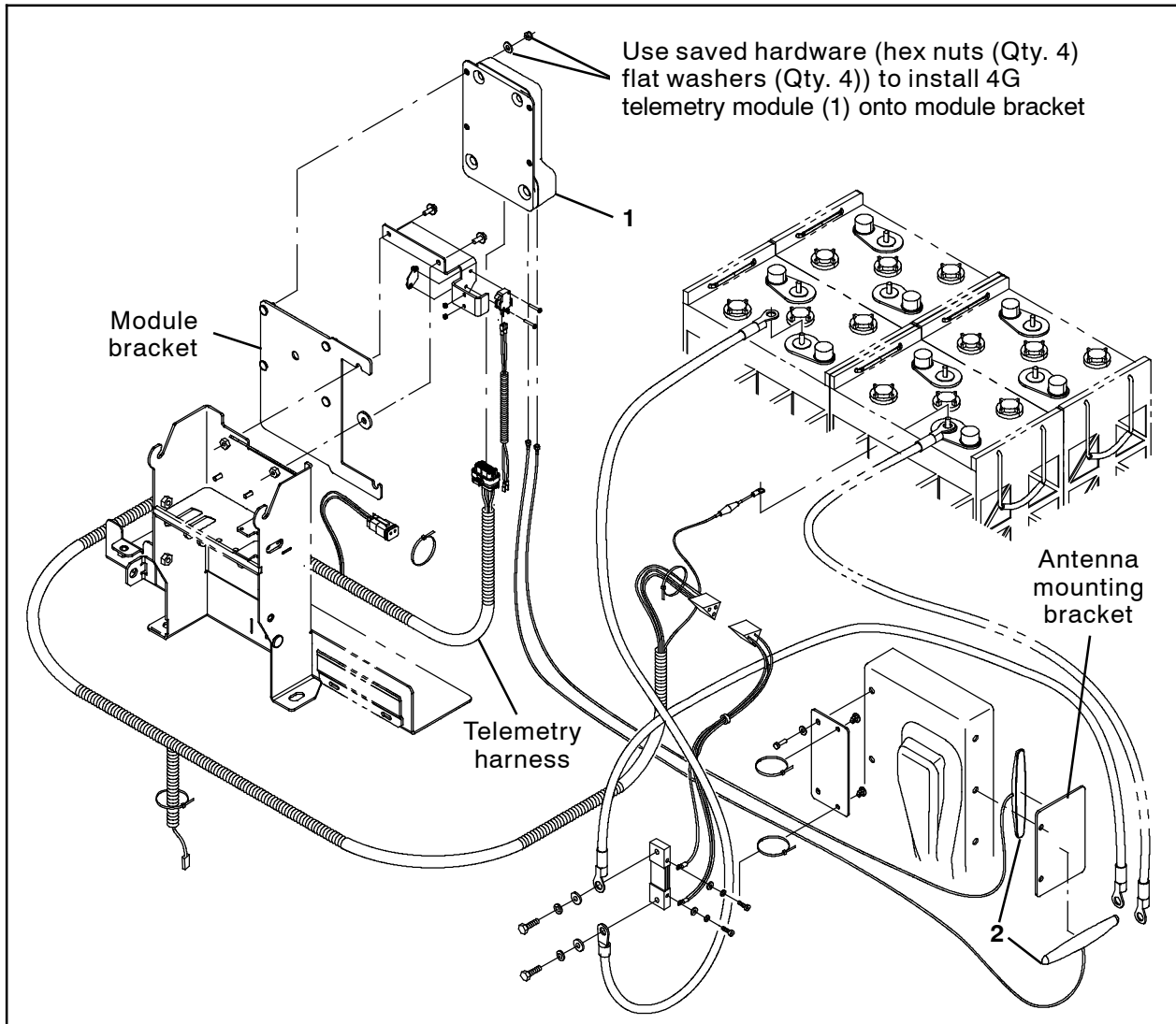
Ref.	Tennant Part No.	Description	Qty.
1	1247507	Control Box Assy, Telem [USA, 4G]	1
2	1247522	Antenna, Telem [4G, 72"]	2



**FIG. 3 - B7 Burnisher/SpeedGleam 7 Burnisher**

**Bill of Materials for Telemetry Kit, 3G-4G, NA [B5, B7, T7] - 9021969**

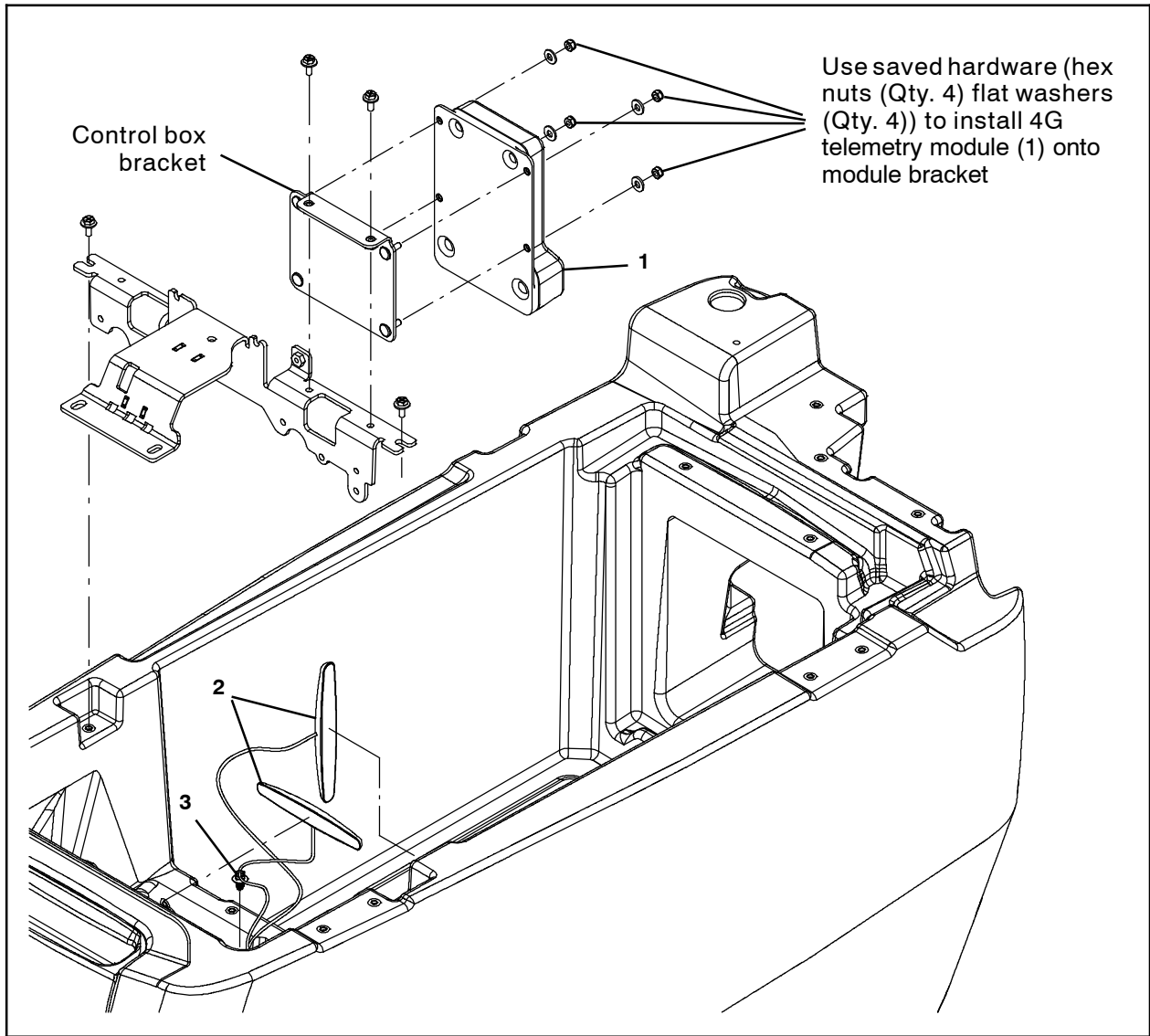
Ref.	Tennant Part No.	Description	Qty.
1	1247507	Control Box Assy, Telem [USA, 4G]	1
2	1247522	Antenna, Telem [4G, 72"]	2



**FIG. 4 - T7 Scrubber/Speed Scrub Rider Scrubber**

**Bill of Materials for Telemetry Kit, 3G-4G, NA [B5, B7, T7] - 9021969**

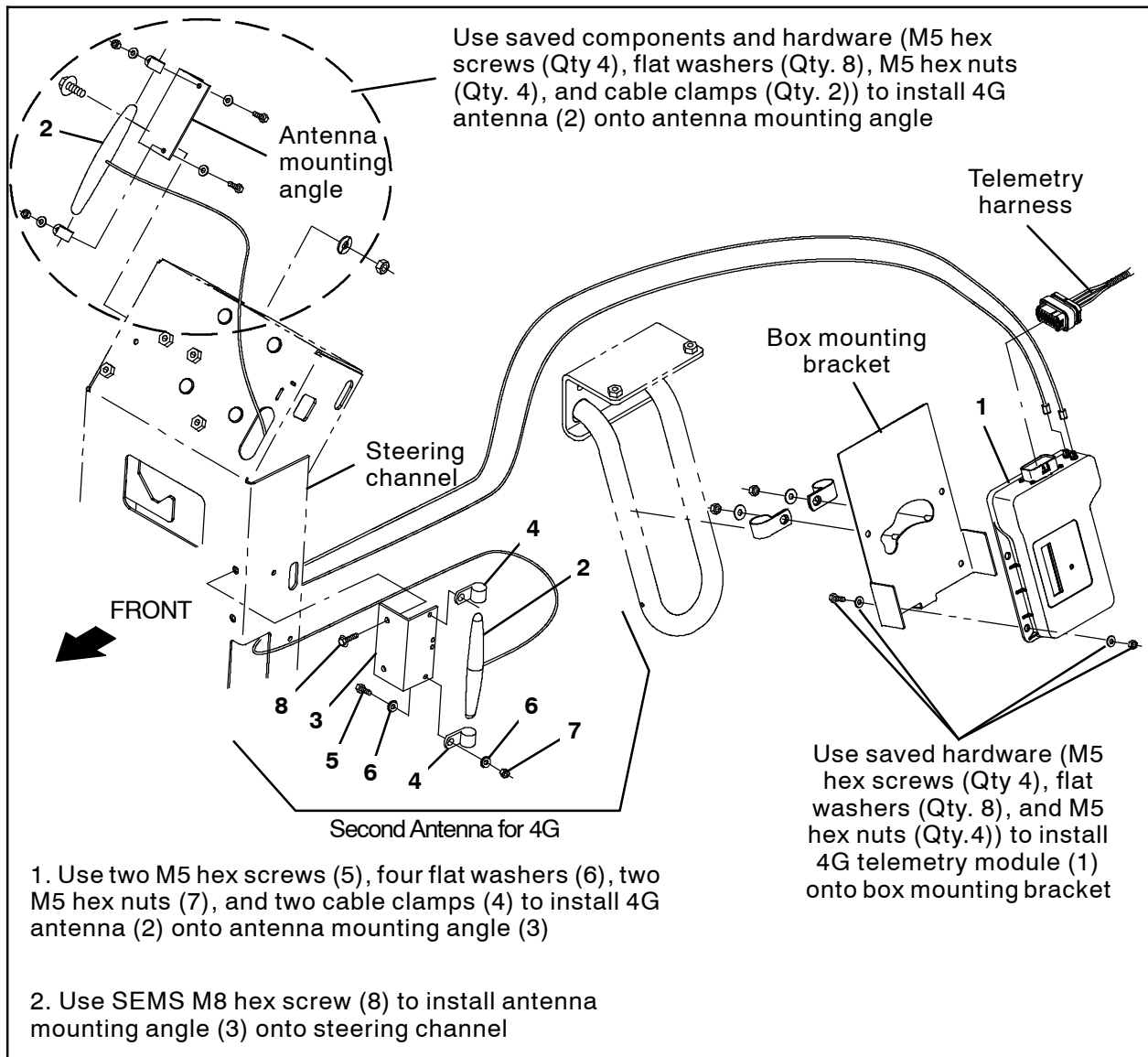
Ref.	Tennant Part No.	Description	Qty.
1	1247507	Control Box Assy, Telem [USA, 4G]	1
2	1247522	Antenna, Telem [4G, 72"]	2



**FIG. 5 - T500e Scrubber/SpeedScrub 500 Scrubber**

**Bill of Materials for Telemetry Kit, 3G-4G, NA [T500E] - 9021970**

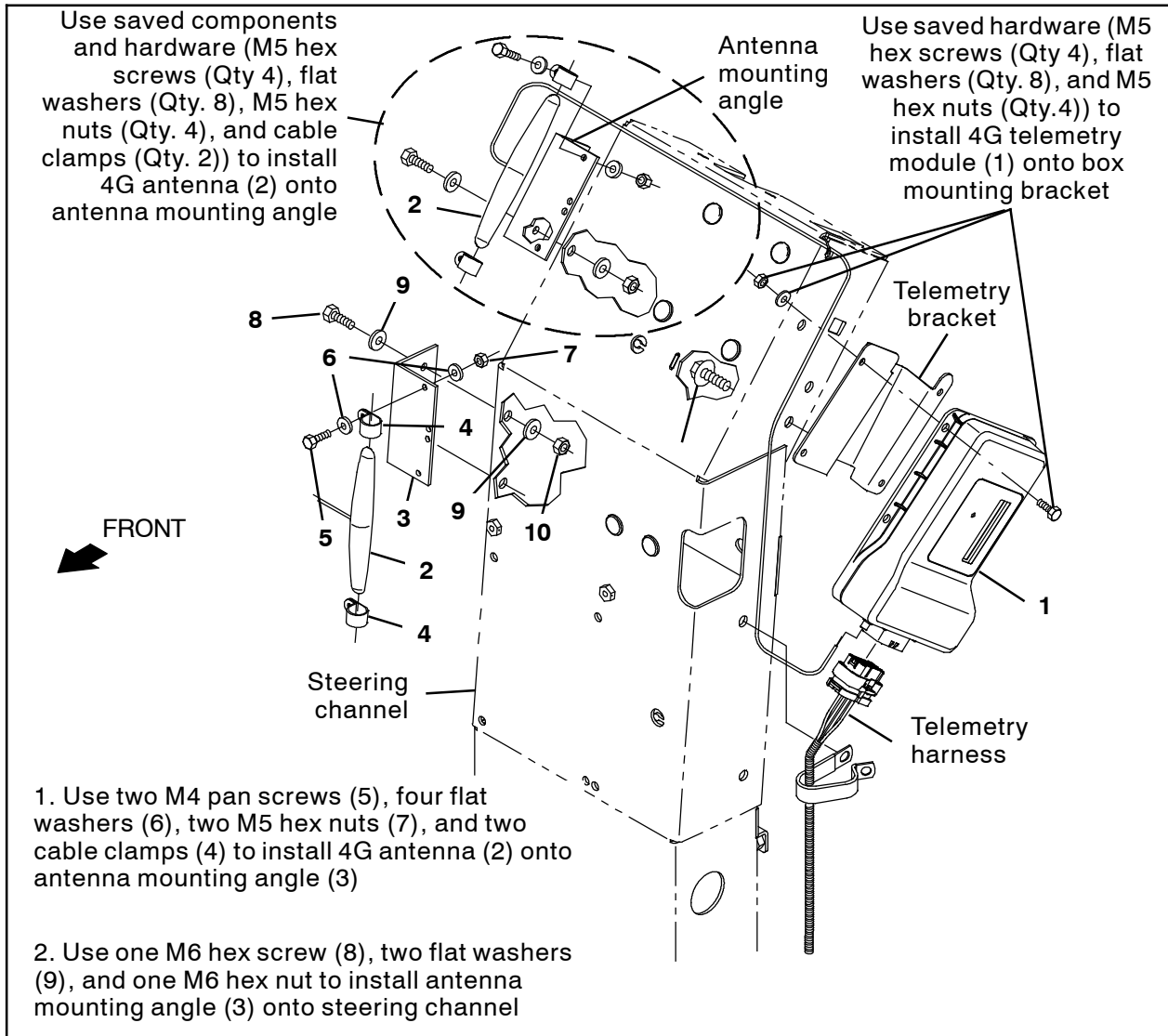
Ref.	Tennant Part No.	Description	Qty.
1	1247507	Control Box Assy, Telem [USA, 4G]	1
2	1247569	Antenna, Telem [4G, 36]	2
3	1210807	Wire, Tie [w/.25" Fir Tree Clip]	2



**FIG. 6 - T12 Scrubber**

**Bill of Materials for Telemetry Kit, 3G-4G, NA [T12] - 9021971**

Ref.	Tennant Part No.	Description	Qty.
1	1247507	Control Box Assy, Telem [USA, 4G]	1
2	1247522	Antenna, Telem [4G, 72"]	2
3	1070402	Angle, Mtg, Antenna, Telem	1
4	140916	Clamp, Cable, Nyl, 0.62d, Nat	2
5	24199	Screw, Hex, M5 X 0.80 X 16, SS	2
6	01683	Washer, Flat, 10, SS	4
7	06549	Nut, Hex, M5 X 0.80 X 16, 8.8	2
8	1020341	Screw, Hex, M8 X 1.25 X 20, SS, SEMS	1
9	01685	Washer, Flat, 0.38B 0.88D .08, SS	2
10	08713	Nut, Hex, Lock, M8 X 1.25, NL, SS	1

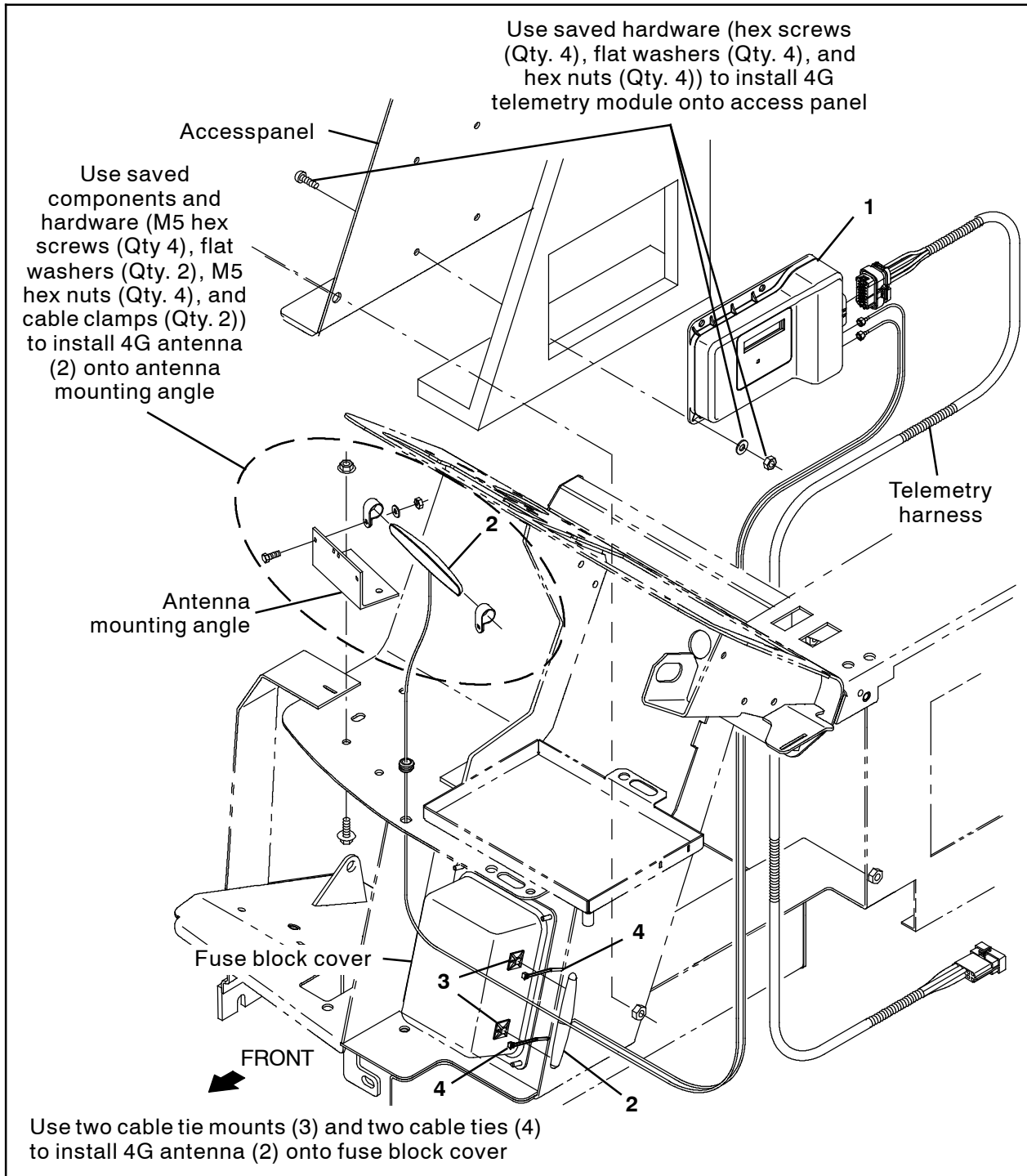


**FIG. 7 - T16 Scrubber**

**Bill of Materials for Telemetry Kit, 3G-4G, NA [T16] - 9021972**

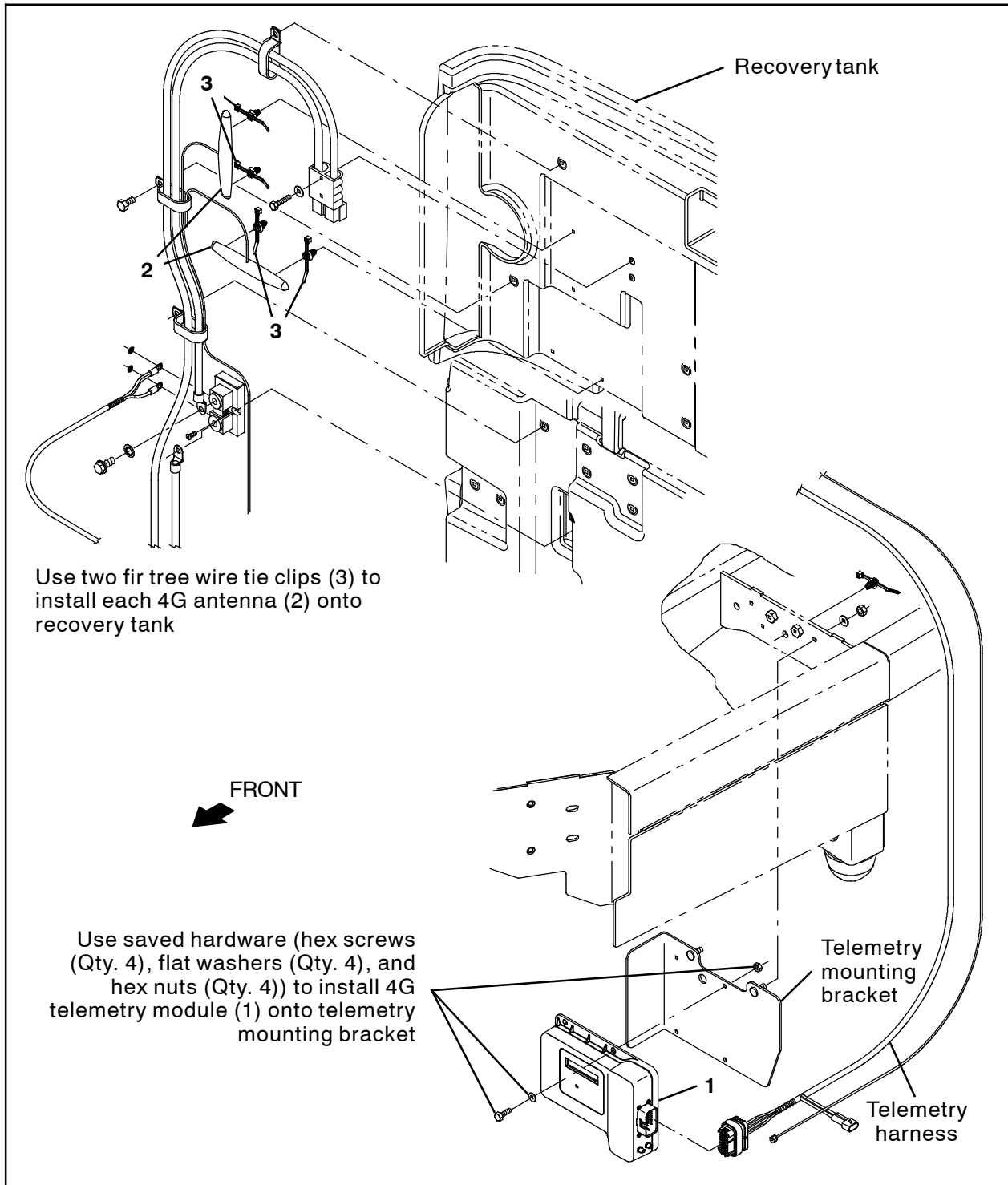
Ref.	Tennant Part No.	Description	Qty.
1	1247507	Control Box Assy, Telem [USA, 4G]	1
2	1247522	Antenna, Telem [4G, 72"]	2
3	1070402	Angle, Mtg, Antenna, Telem	1
4	140916	Clamp, Cable, Nyl, 0.62d, Nat	2
5	06927	Screw, Pan, Phl, M4 X 0.70 X 16, 4.8	2
6	01683	Washer, Flat, 10, SS	4
7	09739	Nut, Hex, Lock, M5 X 0.80, NL, SS	2
8	06943	Screw, Hex, M6 X 1.00 X 20, 8.8	1
9	32483	Washer, Flat, 0.25, SAE	2
10	08708	Nut, Hex, Lock, M6 X 1.00, NL	1





**FIG. 8 - T20 Scrubber/M20 Sweeper Scrubber/M30 Sweeper Scrubber  
Bill of Materials for Telemetry Kit, 3G-4G, NA [T20/M20/M30] - 9021973**

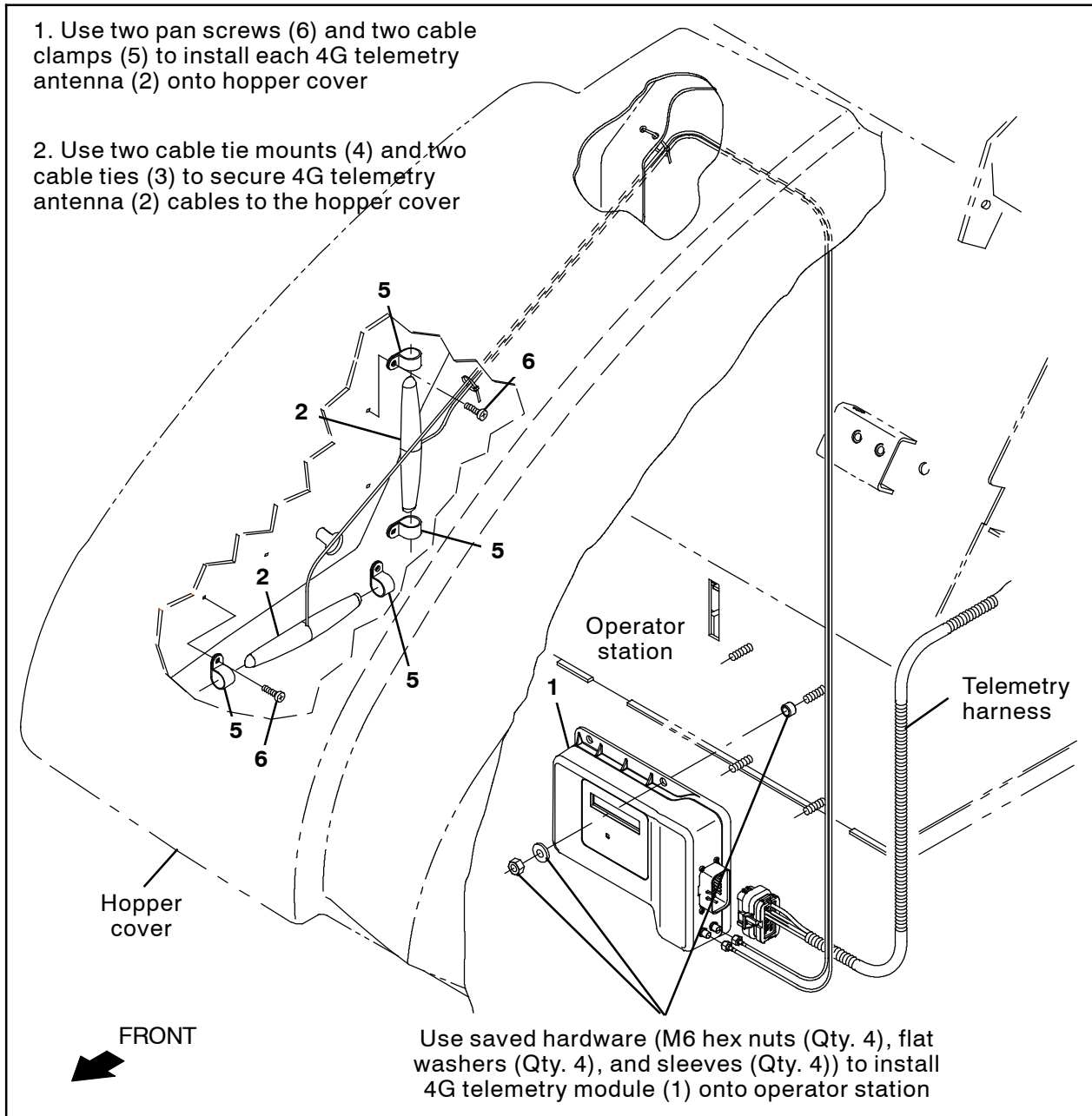
Ref.	Tennant Part No.	Description	Qty.
1	1247507	Control Box Assy, Telem [USA, 4G]	1
2	1248350	Antenna, Telem [4G, 180"]	2
3	763114	Tie, Cable, 11.3L, 2.75D Max	2
4	55248	Mount, Cable Tie	2



**FIG. 9 - T17 Scrubber/M17 Sweeper Scrubber**

**Bill of Materials for Telemetry Kit, 3G-4G, NA [T17/M17] - 9021974**

Ref.	Tennant Part No.	Description	Qty.
1	1247507	Control Box Assy, Telem [USA, 4G]	1
2	1248350	Antenna, Telem [4G, 180"]	2
3	1210807	Wire, Tie [w/.25" Fir Tree Clip]	4



**FIG. 10 - S20 Sweeper**

**Bill of Materials for Telemetry Kit, 3G-4G, NA [S20/S30] - 9021975**

Ref.	Tennant Part No.	Description	Qty.
1	1247507	Control Box Assy, Telem [USA, 4G]	1
2	1247568	Antenna, Telem [4G, 108"]	2
3	763114	Tie, Cable, 11.3L, 2.75D Max	4
4	55248	Mount, Cable Tie	4
5	140916	Clamp, Cable, Nyl, 0.62d, Nat	4
6	382320	Screw, Pan, Phl, 12- 16 X 0.50, F/ Plstc	4

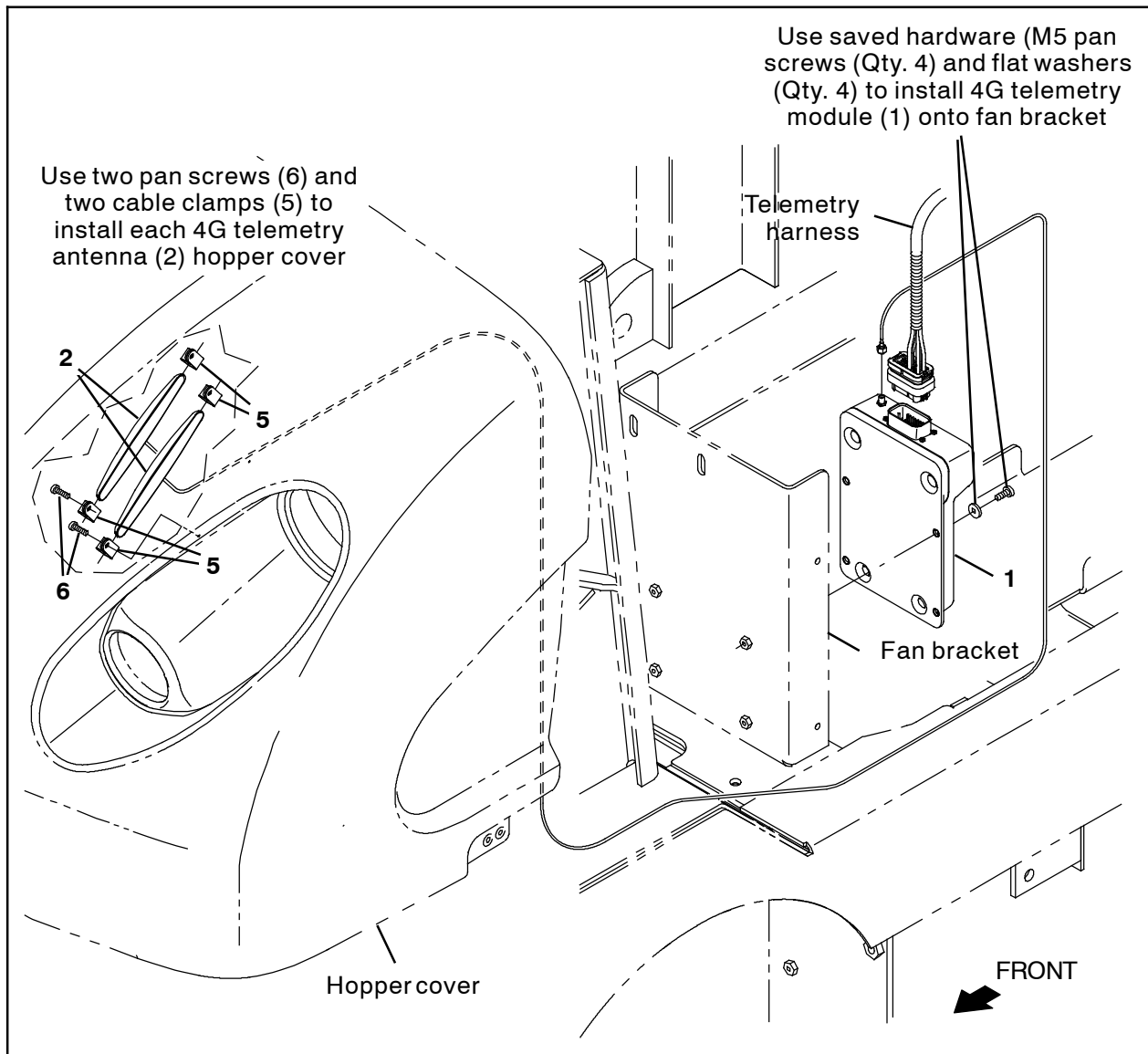


FIG. 11 - S30 Sweeper

Bill of Materials for Telemetry Kit, 3G-4G, NA [S20/S30] - 9021975

Ref.	Tennant Part No.	Description	Qty.
1	1247507	Control Box Assy, Telem [USA, 4G]	1
2	1247568	Antenna, Telem [4G, 108"]	2
3	763114	Tie, Cable, 11.3L, 2.75D Max	4
4	55248	Mount, Cable Tie	4
5	140916	Clamp, Cable, Nyl, 0.62d, Nat	4
6	382320	Screw, Pan, Phl, 12- 16 X 0.50, F/ Plstc	4

TENNANT COMPANY  
 10400 Clean Street  
 Eden Prairie, MN 55344- 2650